



 **Gemma  
Group**

**BOSS**  
Copy router

## TECHNICAL INFO

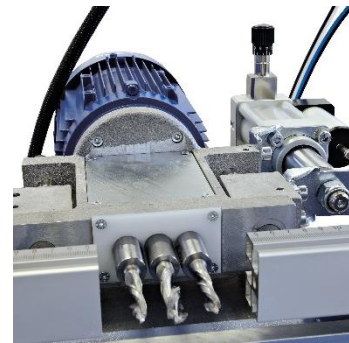
### Structure

- electro-welded steel basement
- 2 pneumatic probes (3 diameters 5 / 8 / 10 mm)
- 2 horizontal pneumatic clamps
- copy template for standard machining
- 5 manual processing stops



### Cutting unit

- 3 ph electrospindle with adjustable speed through inverter and potentiometer (from 2.800 to 12.000 rpm)
- plier + cutter Ø 8 mm
- longitudinal and transversal graduated ruler with reference stops for position adjustment
- Venturi lubrication system



### Power supply

Electric power	400 V / 50 Hz
Motor power	0,75 kW
Air compressed supply	7 Bar
Air consumption per cycle	3 NI

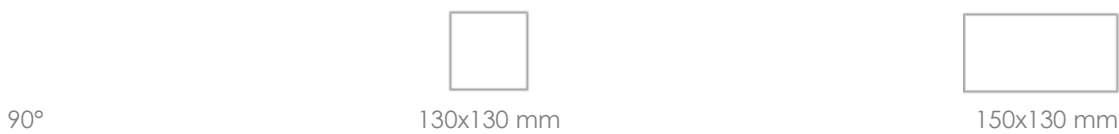
### Working area

Axis stroke	
X	330 mm
Y	150 mm
Z	130 mm
Dimension	330x150x130 mm
Cutter rotation speed	fixed

### Safety

- cutting area protections
- complies with CE safety regulations as standard

### Cutting capacity

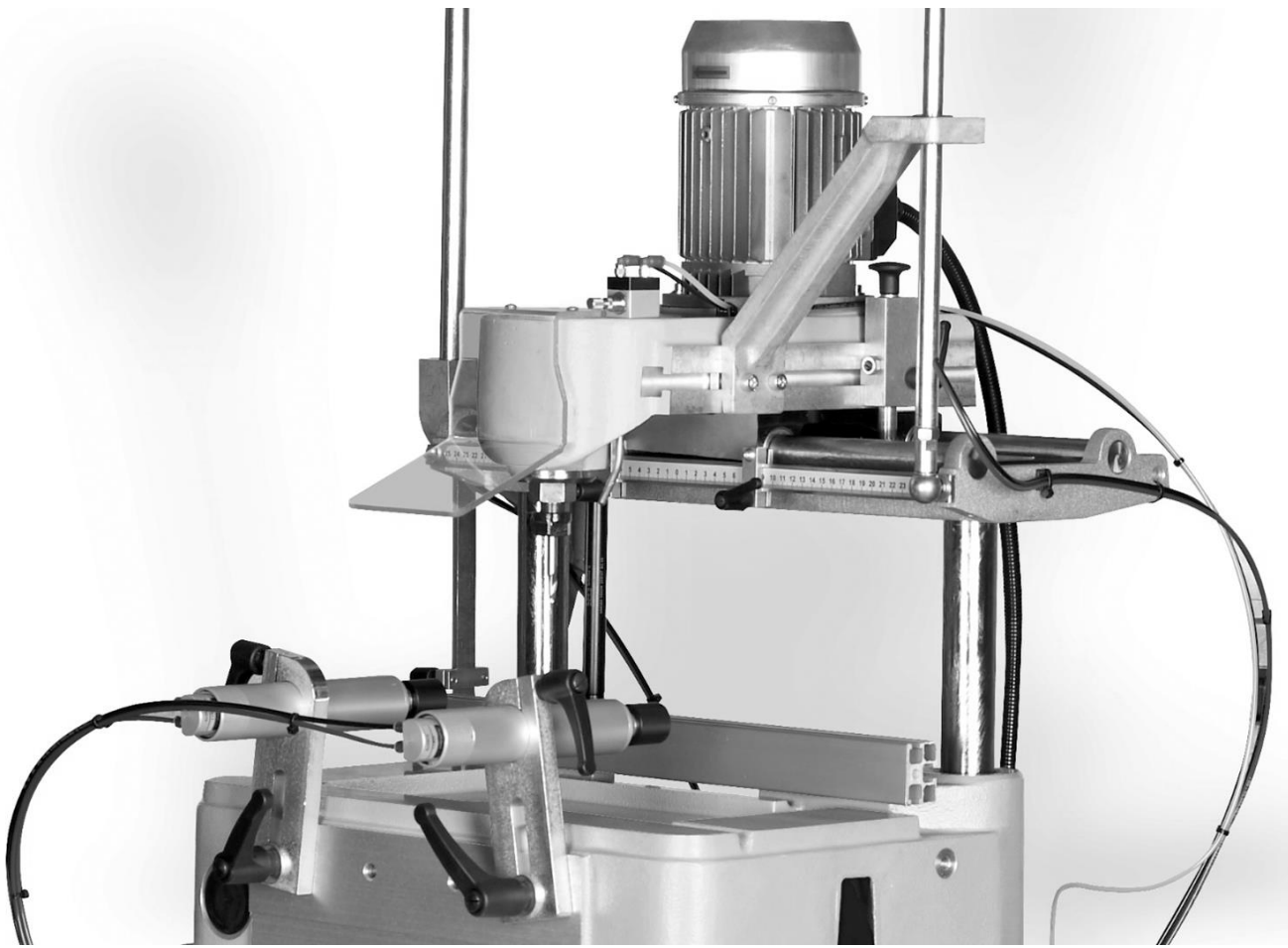
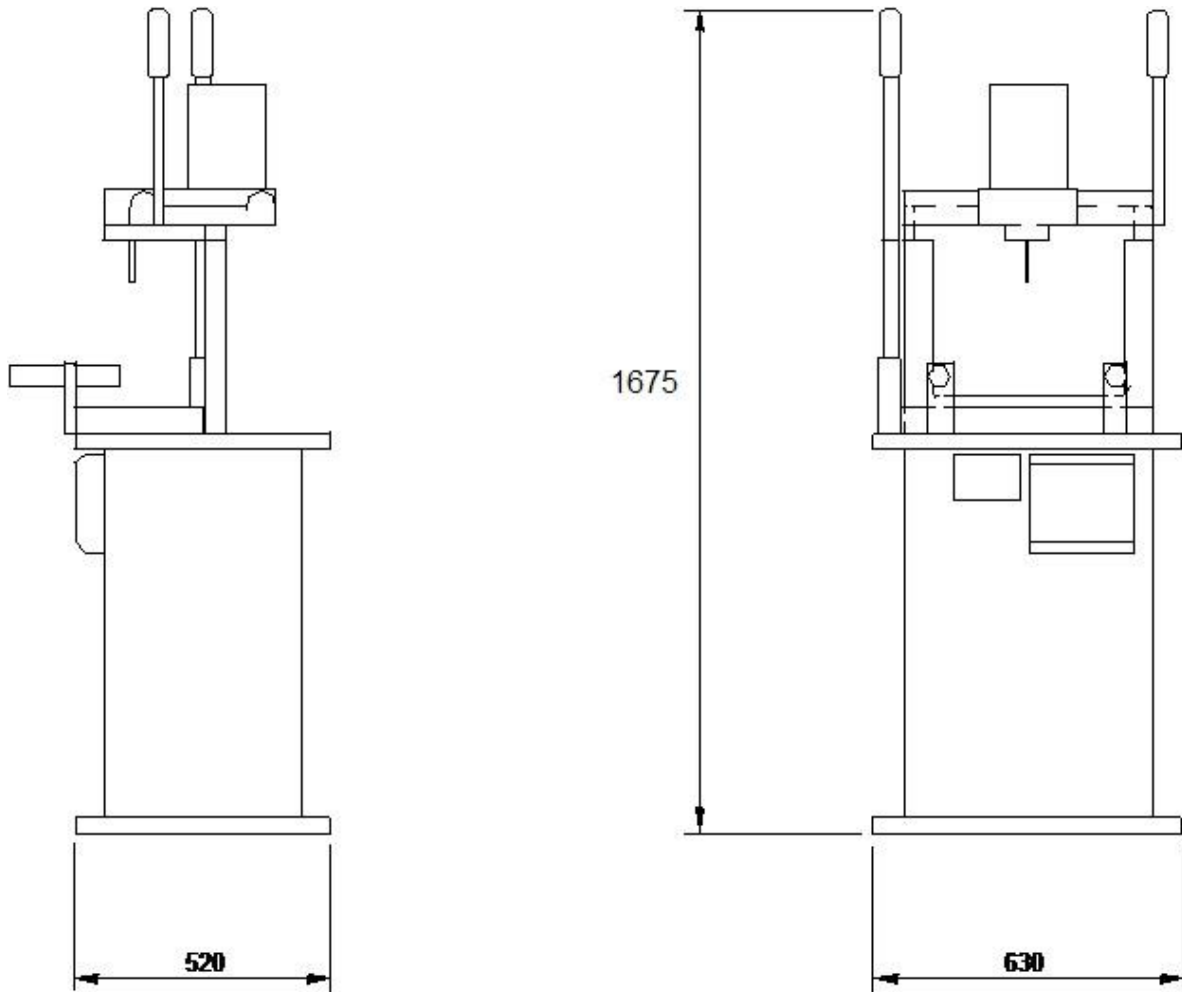


### General specifications

10 mm	0,75 kW	110 kg	800x750x1.800 mm

### Optionals

- Virgin template
- Lateral stop 1 m
- Plier + cutter Ø 6 / 10 mm
- USA-CANADA setup (UL-CSA standards)
- Autotransformer for special voltage
- Ocean freight packaging





Gemma Group srl  
Via Dante Alighieri, 6  
47853 Coriano – Rimini – Italy  
Tel. +39 0541 905811  
[www.gemma-group.com](http://www.gemma-group.com)  
email: [info@gemma-group.com](mailto:info@gemma-group.com)