



 **GEMMA**

Flex
Copy router

GEMMA

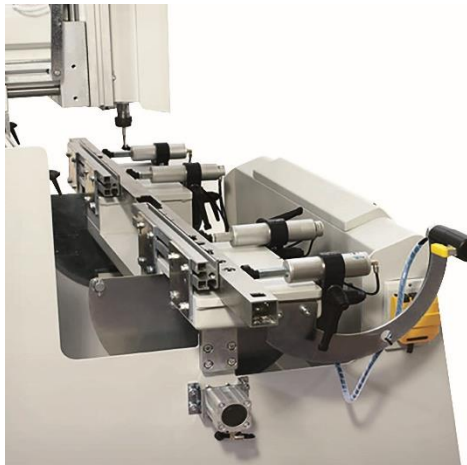
FLEX

Manual copy router

TECHNICAL INFO

Structure

- electro-welded steel basement
- 3 pneumatic probes (3 diameters 5 / 8 / 10 mm)
- 4 horizontal moving pneumatic clamps
- copy template for standard machining
- 5 manual processing stops



Cutting unit

- 3 ph electrospindle with adjustable speed through inverter and potentiometer (from 2.800 to 12.000 rpm)
- ferrule + plier + cutter Ø 8 mm
- manual worktable pivoting -90° / 0° / 90°
- longitudinal and transversal graduated ruler with reference stops for position adjustment
- Venturi lubrication system
- machines steel, stainless steel, iron and aluminum



Power supply

Electric power	400 V / 50 Hz
Motor power	1,5 kW
Air compressed supply	7 Bar
Air consumption per cycle	5 NI

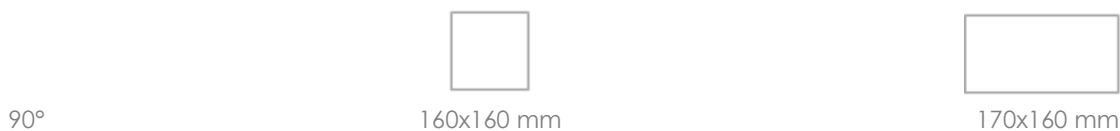
Working area

Axis stroke	
X	500 mm
Y	280 mm
Z	220 mm
Dimension	1.200x1.200x1.600 mm
Cutter rotation speed	adjustable

Safety

- cutting area protections
- complies with CE safety regulations as standard

Cutting capacity



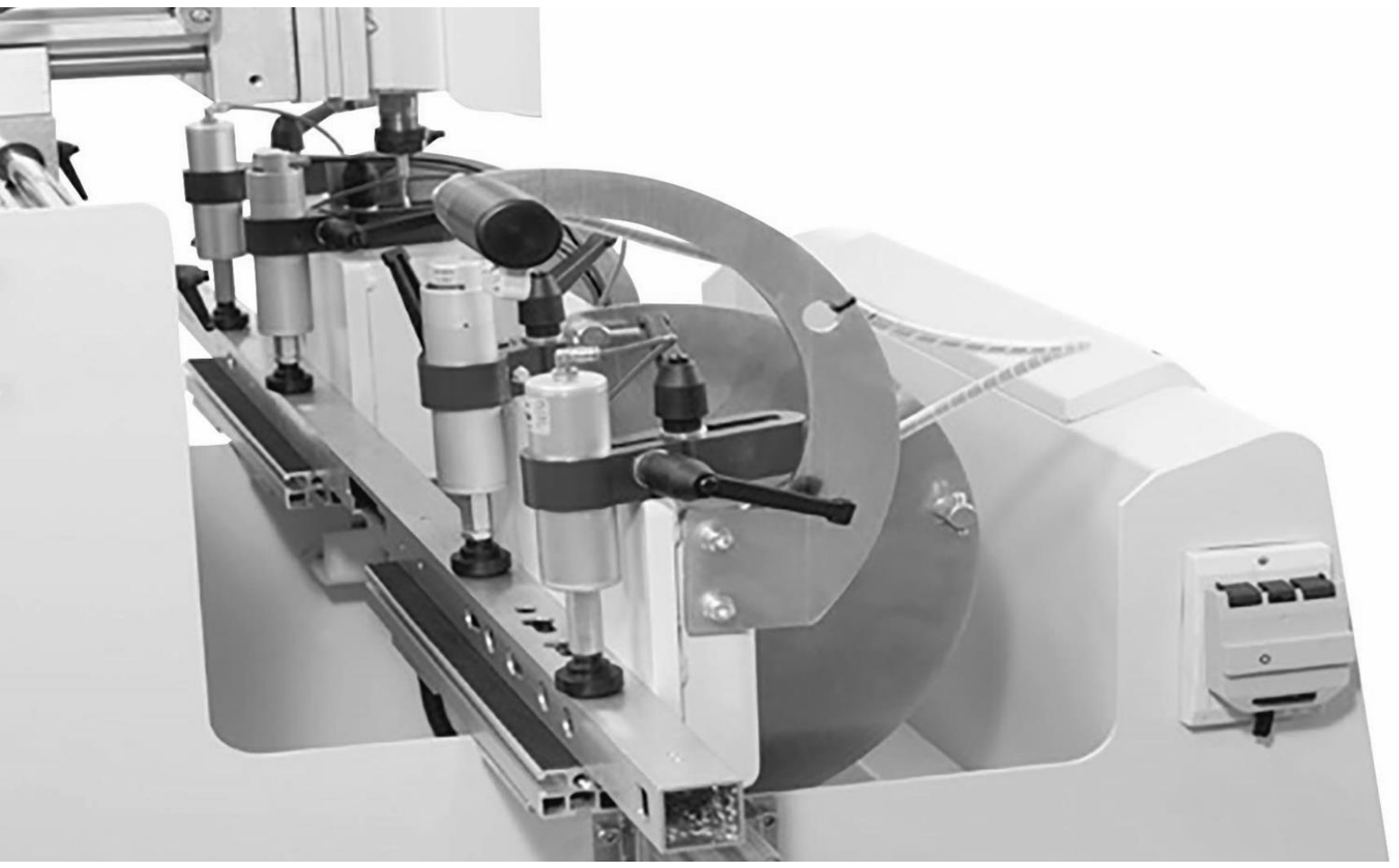
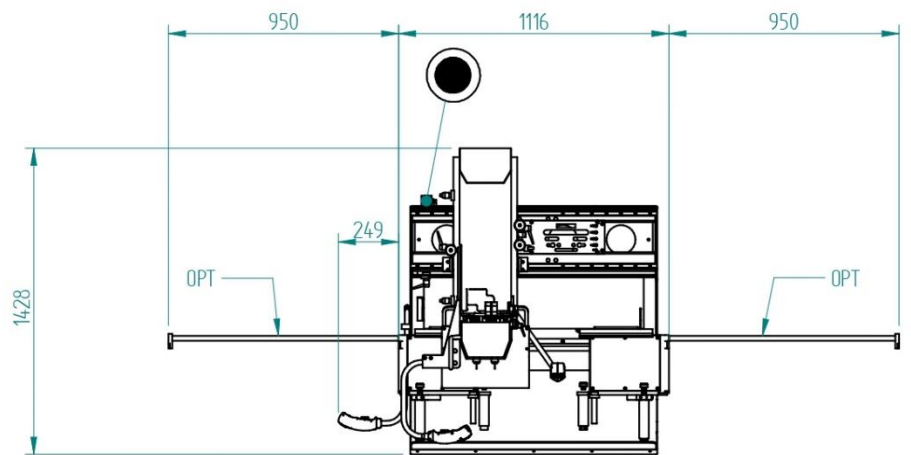
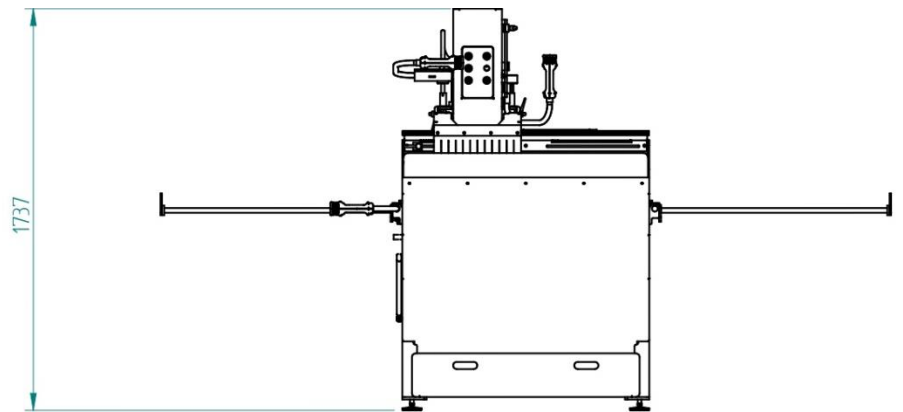
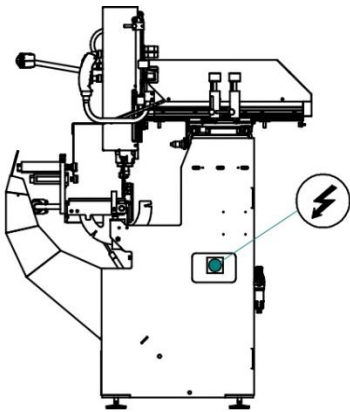
General specifications



Optionals

- Virgin template
- Plier + cutter Ø 6 / 10 mm
- USA-CANADA setup (UL-CSA standards)
- Autotransformer for special voltage
- Ocean freight packaging

Machine layout





Gemma Group srl
Via Dante Alighieri, 6
47853 Coriano – Rimini – Italy
Tel. +39 0541 905811
www.gemma-group.com
email: info@gemma-group.com